

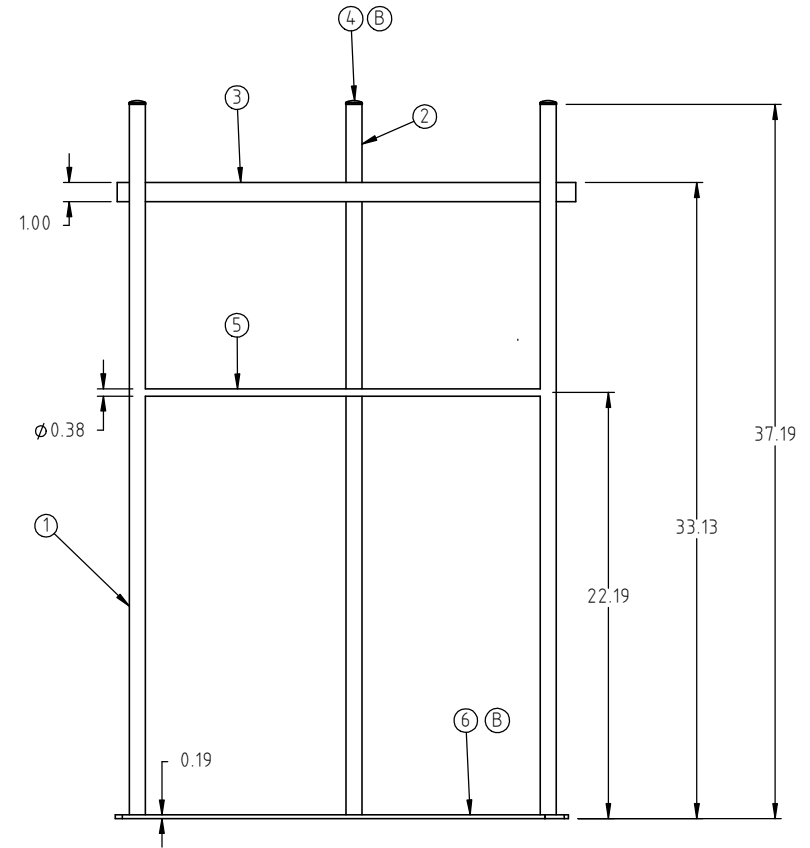
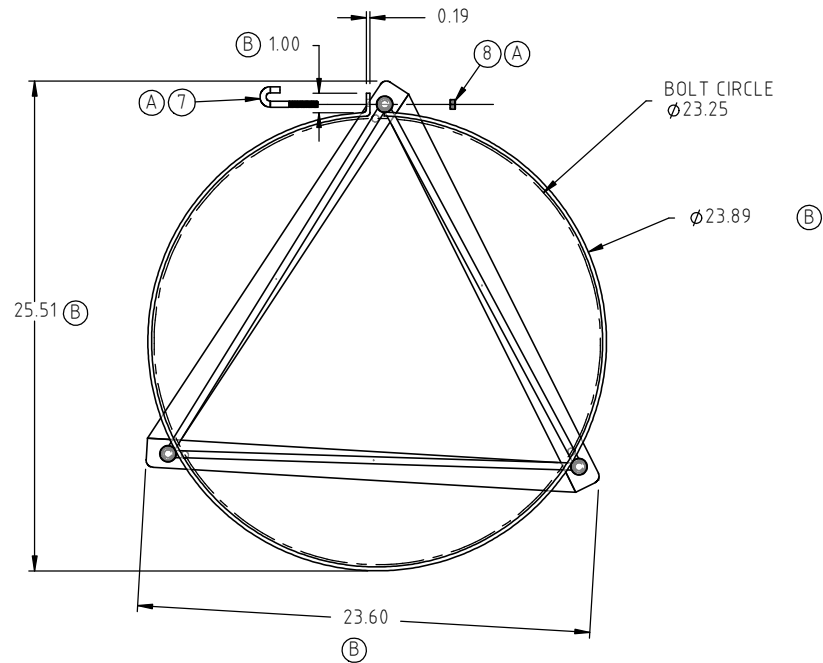
© DEN HARTOG INDUSTRIES, INC.

Copyright. All information furnished within this document, electronic file or design correspondence is the property of Den Hartog Industries, Inc. and shall not be used, disclosed to others or copied without the expressed written consent of Den Hartog Industries, Inc.

KEY	PART NUMBER	DESCRIPTION	QTY.
1	INFD30-55-ST-1	LEG PIPE	2
2	INFD30-55-ST-2	LEG PIPE W/ HOLE	1
3	IN30-55-ST-3	RING	1
4	12582	1/2" PIPE PLUG	3
5	IN30-55-ST-5	SIDE ROD	3
6	12081	BASE STRAP	3
7	J.313X3.00	J-BOLT, 5/16" X 3"	1
8	10280	NUT, 5/16" NYLOK ZINC	1

© INFD30/60-ST

©



C	55 WAS 60. DRAWING TEMPLATE UPDATED	ADH 12/13/13	2755	DRAWN / DATE	MATERIAL
B	DIMENSIONS, BASE STRAPS AND LEG PLUGS UPDATED	ADH 10/13/08	1729	ADH 12/12/07	
A	PARTS 7,8 AND FINISH NOTE ADDED. WEIGHT UPDATED	ADH 3/21/08	1626	APPRD. / DATE	
REV	DESCRIPTION	BY / DATE	CCN	REH 12/14/07	
ALL DIMENSIONS ARE IN DECIMAL INCHES TOLERANCES UNLESS OTHERWISE SPECIFIED		THIRD ANGLE PROJECTION ANSI 14.5M		SHOT WEIGHT:	NOTES:
POLYETHYLENE ±1% @ 68°F		METAL DECIMAL ± .125" FRACTION ± 1/4" ANGLE ± 1°		SHIPPING WEIGHT: 18.50 LBS	1.) POWDER COATING, BLACK TILE, 40012
				FINISH:	



**Den Hartog**  
INDUSTRIES, INC.

Ace Roto-Mold Injection Molding Blow Molding Sowjoy

4010 HOSPERS DRIVE S. BOX 425, HOSPERS, IOWA 51238-0425

DESCRIPTION	INDUCTOR STAND FOR 30/60 GALLON FULL DRAIN TANKS	
SCALE	N.S.	PART NO. © INFD30/60-ST