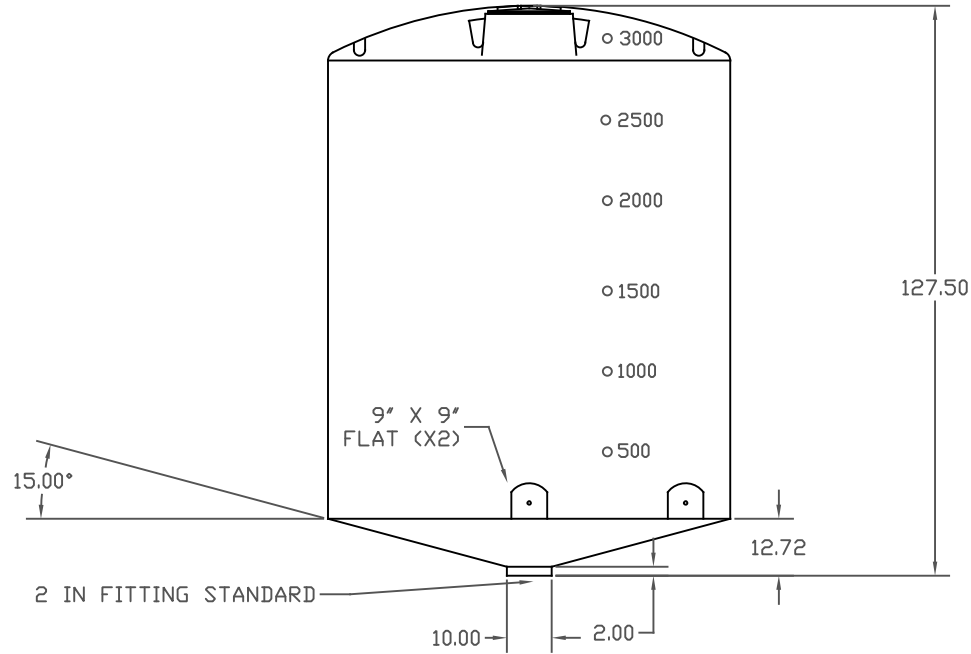
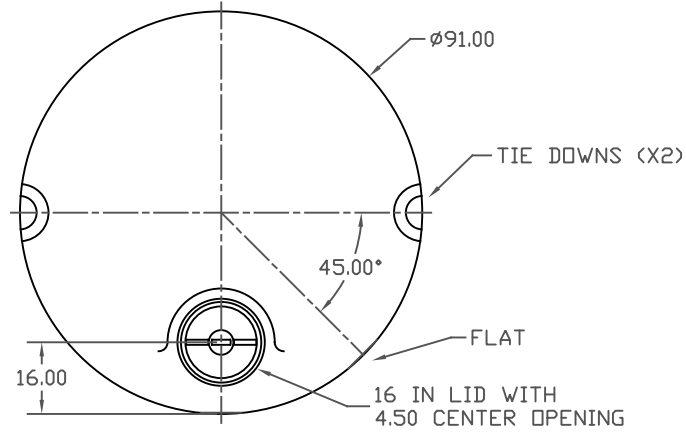




PROPERTY OF DEN HARTOG INDUSTRIES, INC. INFORMATION FURNISHED HEREIN IS THE PROPERTY OF DEN HARTOG INDUSTRIES, INC. AND SHALL NOT BE USED, DISCLOSED TO OTHERS, OR COPIED WITHOUT THE EXPRESSED WRITTEN CONSENT OF DEN HARTOG INDUSTRIES, INC. ALL RIGHTS RESERVED.



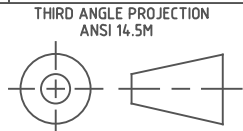
C	WAS 90	5/11/17	DHJ	3385	DRAWN / DATE	MATERIAL
B	HEIGHT WAS 125.00	7/17/06	NVE		EGB 9/13/94	
A	ISOLATED TANK AND STAND	6/13/06	NVE		APPRD. / DATE	HDPE OR EQUIVALENT REFERENCE MATERIAL DATA SHEET FOR SPECIFIC PROPERTIES.
REV	DESCRIPTION	DATE	APPRD	CCN	REH 4/18/07	



ACE ROTO-MOLD
A DIVISION OF DEN HARTOG INDUSTRIES, INC.
4010 HOSPERS DRIVE S., BOX 425, HOSPERS, IA 51238

CLIENT / DESCRIPTION
3000 GALLON, $\varnothing 90$ CONE BOTTOM TANK

ALL DIMENSIONS ARE IN DECIMAL INCHES
TOLERANCES UNLESS OTHERWISE SPECIFIED
+ 1% @ 68° F



NOTES:
1. NOM. WALL @ 0.430
2. SHOT WEIGHT 550 LBS.

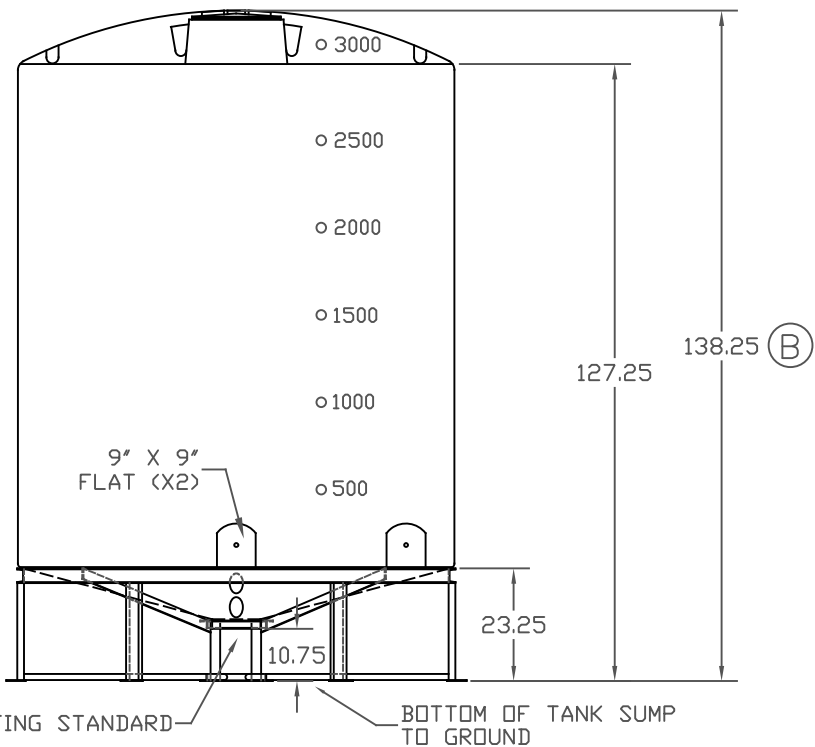
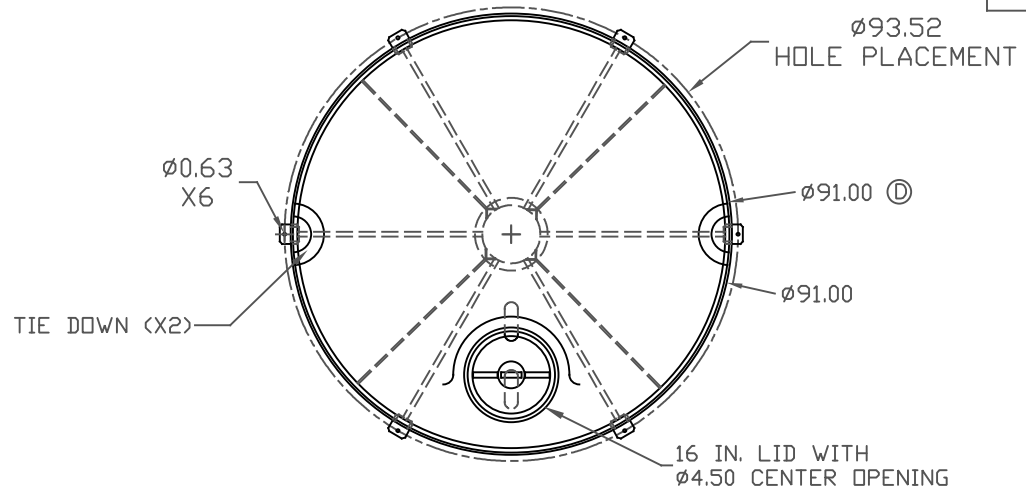
SCALE	N.S.	PART NO.	CB3000-90
-------	------	----------	-----------

PROPRIETARY DATA

PROPERTY OF DEN HARTOG INDUSTRIES, INC. INFORMATION FURNISHED HEREIN IS THE PROPERTY OF DEN HARTOG INDUSTRIES, INC. AND SHALL NOT BE USED, DISCLOSED TO OTHERS, OR COPIED WITHOUT THE EXPRESSED WRITTEN CONSENT OF DEN HARTOG INDUSTRIES, INC. ALL RIGHTS RESERVED.

CB3000-90/90-15ST

D



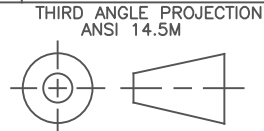
D	WAS 90	5/11/17	DHJ	3385
C	REMOVE TOL. 1% @ 68° F	3/9/07	GWC	
B	HEIGHT WAS 136.50	7/17/06	NVE	
A	COMBINED TANK AND STAND	6/13/06	NVE	
REV	DESCRIPTION	DATE	APPRD	CCN

DRAWN / DATE EGB 9/13/94	MATERIAL TANK: HDPE OR EQUIVALENT STAND: MILD STEEL
APPRD. / DATE REH 4/18/07	

ACE ROTO-MOLD
A DIVISION OF DEN HARTOG INDUSTRIES, INC.
4010 HWY. 60 BLVD, BOX 425, HOSPERS, IOWA 51238

CLIENT / DESCRIPTION
3000 GALLON CONE BOTTOM TANK AND STAND

ALL DIMENSIONS ARE IN DECIMAL INCHES
TOLERANCES UNLESS OTHERWISE SPECIFIED



NOTES:
TANK WEIGHT: 550 LBS.
CB3000-90
STAND WEIGHT: 380 LBS.
CB090-15ST

SCALE
N.S.

PART NO.
CB3000-90/90-15ST