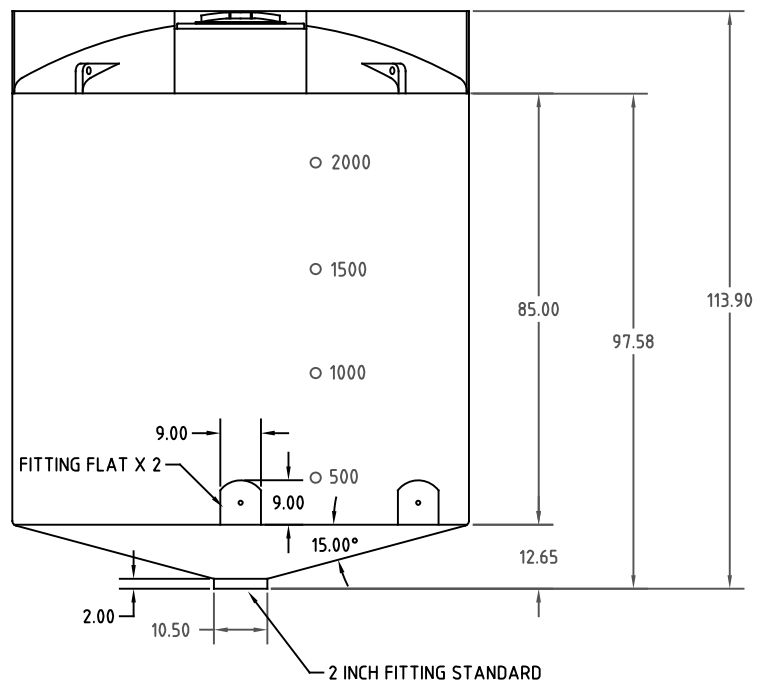
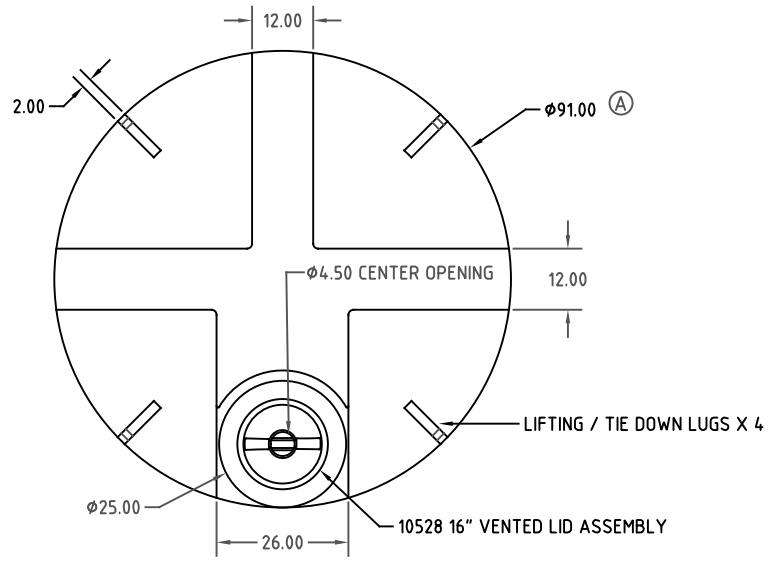


Copyright. All information furnished within this document, electronic file or design correspondence is the property of Den Hartog Industries, Inc. and shall not be used, disclosed to others or copied without the expressed written consent of Den Hartog Industries, Inc.



				DRAWN / DATE DHJ 1/5/11	MATERIAL 10420
A	WAS 90	DHJ 5/11/17	3385	APPRD. / DATE REH 2/2/11	
REV	DESCRIPTION	BY / DATE	CCN		
ALL DIMENSIONS ARE IN DECIMAL INCHES TOLERANCES UNLESS OTHERWISE SPECIFIED		THIRD ANGLE PROJECTION ANSI 14.5M		SHOT WEIGHT: 435 LBS.	NOTES: 1. THICKNESS @ BOTTOM SIDEWALL .390
POLYETHYLENE ±1% @ 68 ° F		METAL DECIMAL ± .125" FRACTION ± 1/4" ANGLE ± 1°		SHIPPING WEIGHT: 437 LBS.	
				FINISH:	

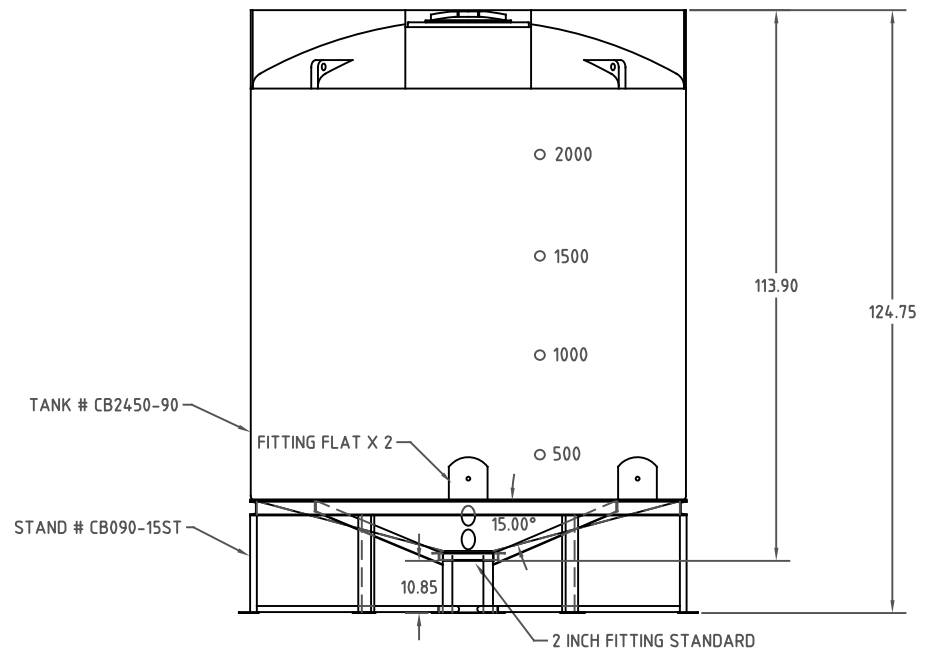
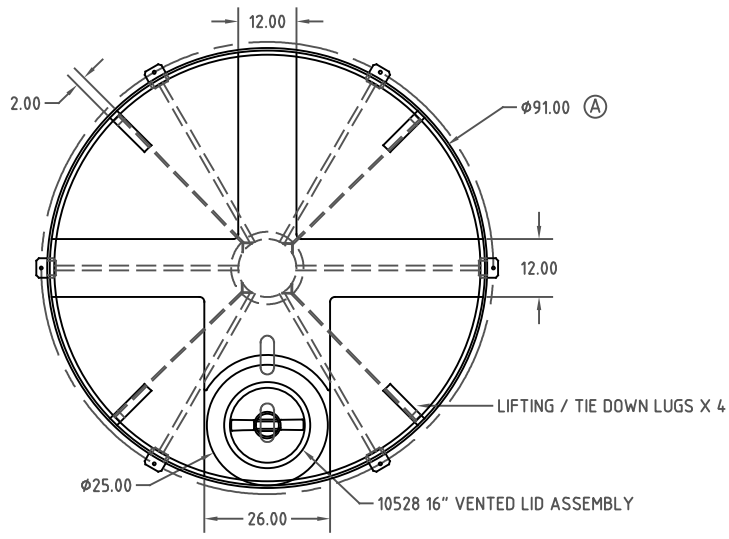



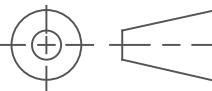
**Den Hartog**  
INDUSTRIES, INC.

Ace Roto-Mold Injection Molding Blow Molding SowJoy  
4010 HOSPERS DRIVE S. BOX 425, HOSPERS, IOWA 51238-0425

DESCRIPTION 2450 GAL. 90" DIA. X 15° CONE BOTTOM TANK W/ INDUSTRIAL TOP	
SCALE N.S.	PART NO. CB2450-90

Copyright. All information furnished within this document, electronic file or design correspondence is the property of Den Hartog Industries, Inc. and shall not be used, disclosed to others or copied without the expressed written consent of Den Hartog Industries, Inc.



		DRAWN / DATE DHJ 3/9/11		MATERIAL TANK 10420 POLYETHYLENE		 <p><b>Den Hartog</b> INDUSTRIES, INC. Ace Roto-Mold Injection Molding Blow Molding SowJoy 4010 HOSPERS DRIVE S. BOX 425, HOSPERS, IOWA 51238-0425</p>
A WAS 90		DHJ 5/11/17 3385		STAND MILD STEEL BLACK POWDER COAT		
REV	DESCRIPTION	BY / DATE	CCN	APPRD. / DATE REH 3/10/11		
ALL DIMENSIONS ARE IN DECIMAL INCHES TOLERANCES UNLESS OTHERWISE SPECIFIED		THIRD ANGLE PROJECTION ANSI 14.5M		SHOT WEIGHT: SHIPPING WEIGHT: FINISH:		DESCRIPTION 2450 GAL. 90" DIA. X 15° CONE BOTTOM TANK W/ INDUSTRIAL TOP AND STAND
POLYETHYLENE ±1% @ 68° F		METAL DECIMAL ± .125" FRACTION ± 1/4" ANGLE ± 1°		817 LBS.		SCALE N.S. PART NO. CB2450-90+90-15ST
				NOTES: 1. THICKNESS @ BOTTOM SIDEWALL .390		