

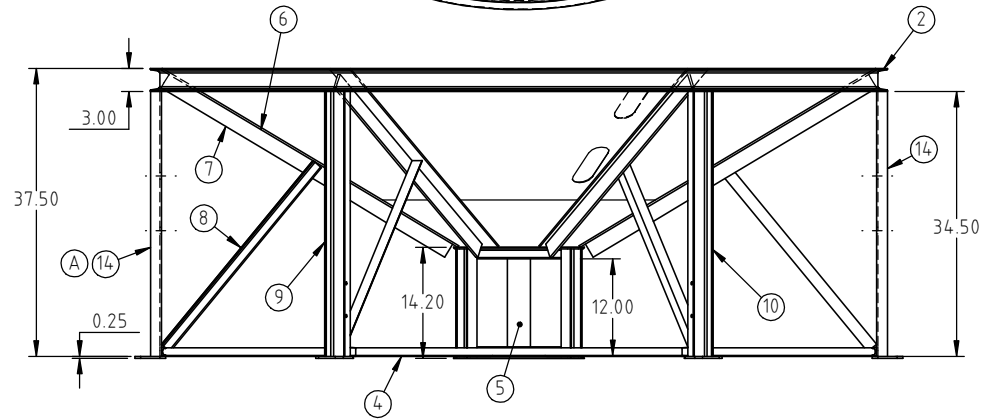
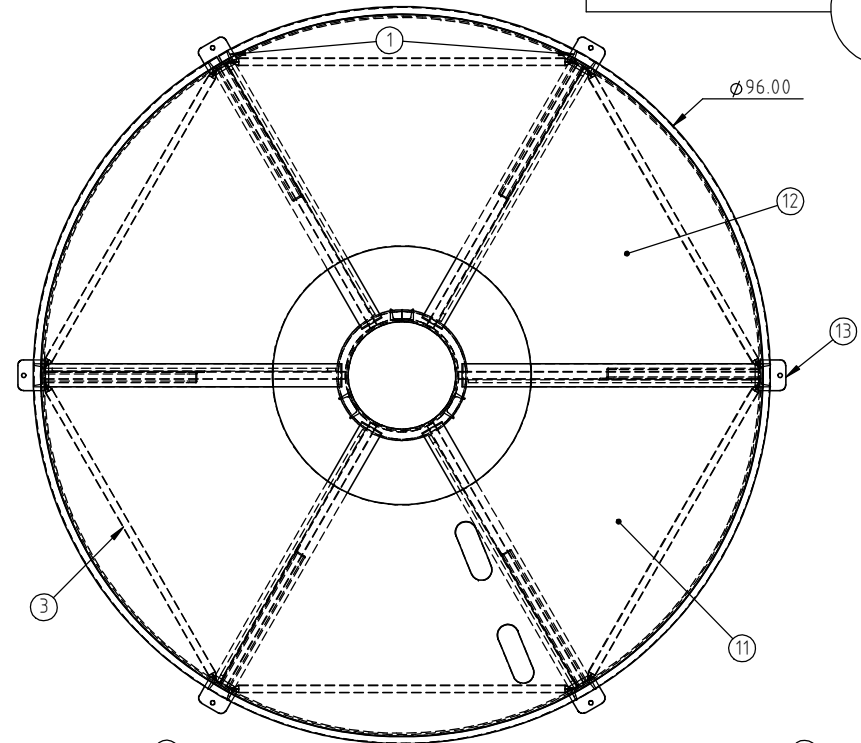
© DEN HARTOG INDUSTRIES, INC.

Copyright. All information furnished within this document, electronic file or design correspondence is the property of Den Hartog Industries, Inc. and shall not be used, disclosed to others or copied without the expressed written consent of Den Hartog Industries, Inc.

CB096-30ST


A

KEY	PART NUMBER	DESCRIPTION	QTY.
1	CB096-30ST-1	STAND LEG	2
2	CB096-30ST-2	CHANNEL RING	1
3	CB096-30ST-3	OUTSIDE BASE TUBING	6
4	CB096-30ST-4	CENTER TO LEG TUBING	6
5	12763	RING, CENTER STAND	3
6	CB096-30ST-6	SUPPORT STRAP	6
7	CB096-30ST-7	SUPPORT STRAP	6
8	CB096-30ST-8	ANGLE SUPPORT	6
9	CB096-30ST-9	STAND CHANNEL LEG (RIGHT)	1
10	CB096-30ST-10	STAND CHANNEL LEG (LEFT)	1
11	12764	PAN, W/HOLES	1
12	12765	PAN, NO HOLES	1
13	12750	1/4" X 4" X 4" LEG PAD	6
14	CB096-30ST-11	STAND LEGS, POWDER COAT	2



A	HOLES FOR POWDER COATING ADDED TO TWO LEGS COMPONENT TABLE UPDATED	ADH 7/22/11	2254
REV	DESCRIPTION	BY / DATE	CCN
ALL DIMENSIONS ARE IN DECIMAL INCHES TOLERANCES UNLESS OTHERWISE SPECIFIED		THIRD ANGLE PROJECTION ANSI 14.5M	
POLYETHYLENE ±1% @ 68°F			
METAL DECIMAL ± .125" FRACTION ± 1/4" ANGLE ± 1°			

DRAWN / DATE DHJ 10/25/09	MATERIAL
APPROD. / DATE REH 12/5/09	
SHOT WEIGHT:	NOTES:
SHIPPING WEIGHT: 553.00 LBS	
FINISH: POWDER COATING, BLACK TILE, 40012	



Den Hartog INDUSTRIES, INC.

Acra Roto-Mold Injection Molding Blow Molding Sowjoy

4010 HOSPERS DRIVE S. BOX 425, HOSPERS, IOWA 51238-0425

DESCRIPTION	ø96 CONE BOTTOM 30° STAND	
SCALE	N.S.	PART NO. CB096-30ST