

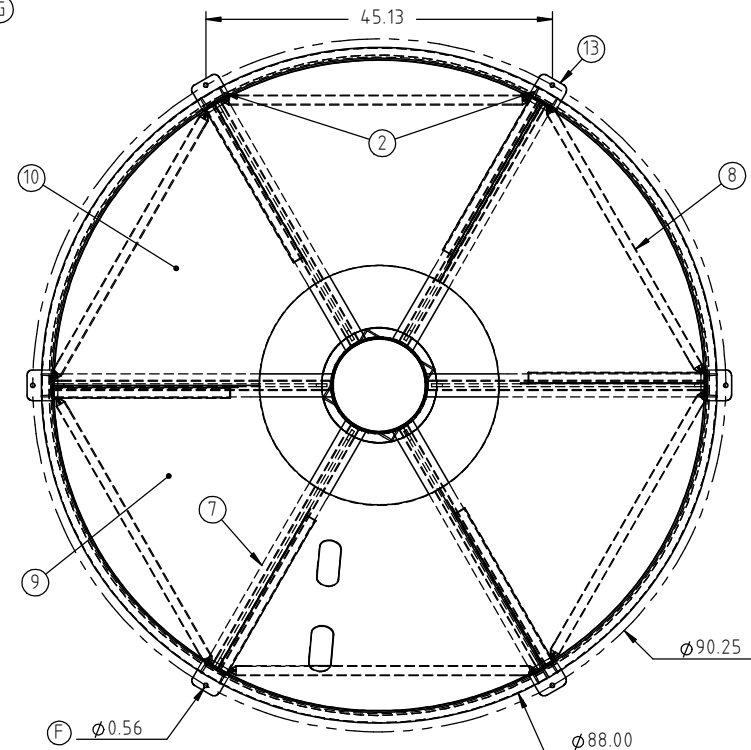
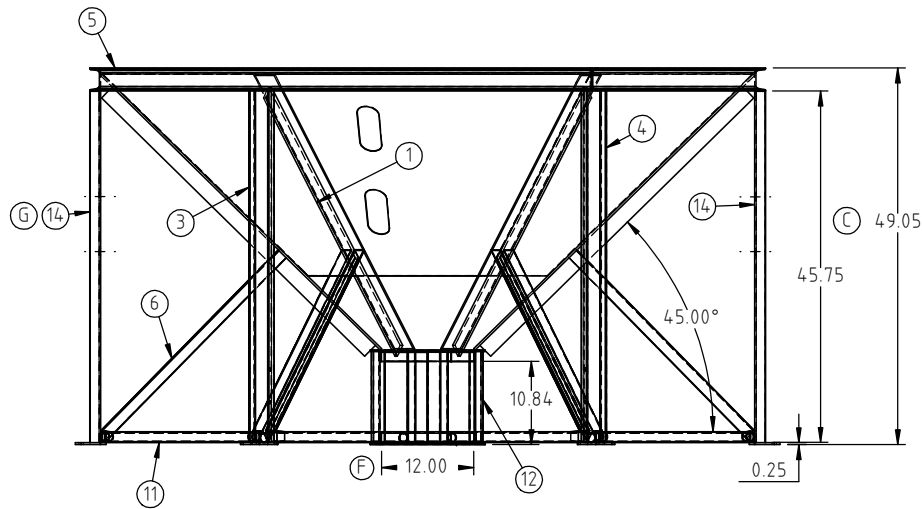
© DEN HARTOG INDUSTRIES, INC.

Copyright. All information furnished within this document, electronic file or design correspondence is the property of Den Hartog Industries, Inc. and shall not be used, disclosed to others or copied without the expressed written consent of Den Hartog Industries, Inc.

CB086-45ST

G

KEY	PART NUMBER	DESCRIPTION	QTY.
1	CB086-45ST-1	ANGLED SUPPORT STRAP	6
2	CB086-45ST-2	3" CHANNEL LEG	2
3	CB086-45ST-3	3" CHANNEL LEG (LEFT)	1
4	CB086-45ST-4	3" CHANNEL LEG (RIGHT)	1
5	CB086-45ST-5	3" CHANNEL RING	1
6	CB086-45ST-6	ANGLED ANGLE SUPPORT	6
7	CB086-45ST-7	ANGLED SUPPORT STRAP	6
8	CB086-45ST-8	OUTSIDE BASE RING PIPE	6
9	12476	PAN, W/HOLES	1
10	12477	PAN	2
11	CB086-45ST-11	BASE SUPPORT PIPE	6
12	12521	CB Ø12" RING STAND	4
	RAR-12	ROLLED ANGLE, 12" PLAIN	2
	12522	CB, 12" RING STAND	4
13	12750	1/4" X 4" X 4" LEG PAD	6
14	CB086-45ST-12	3" CHANNEL LEG-POWDER COAT	2

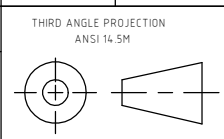


G	HOLE FOR POWDER COATING ADDED TO TWO LEGS, PARTS TABLE UPDATED	ADH 7/22/11	2254
F	DIMENSION AND MATERIAL P.N. CORRECTED 12750 WAS SJC885/90ST, Ø0.56 WAS Ø0.63, WEIGHT AND FINISH ADDED.	ADH 1/28/10	1995
E	12521 WAS SJC885/90ST-1	ADH 12/7/07	1442
D	PAN BOM INFORMATION UPDATED	8/30/07	1442
C	WAS 46.00	12/27/06	
B	PN WAS CB085-45ST	NVE 7/31/06	
A	ADDED B.O.M.	NVE 6/9/06	
REV	DESCRIPTION	BY / DATE	CCN


DRAWN / DATE	MATERIAL
ADH 6/27/07	
APPRD. / DATE	
REH 7/18/07	

ALL DIMENSIONS ARE IN DECIMAL INCHES
TOLERANCES UNLESS OTHERWISE SPECIFIED

POLYETHYLENE	METAL DECIMAL ± .125" FRACTION ± 1/4" ANGLE ± 1°
±1% @ 68°F	



SHOT WEIGHT:	NOTES:
SHIPPING WEIGHT:	
580.00 LBS	
FINISH:	
POWDER COATING, BLACK TILE, 40012	



Den Hartog INDUSTRIES, INC.

Acra Roto-Mold Injection Molding Blow Molding Sowjoy

4010 HOSPERS DRIVE S. BOX 425, HOSPERS, IOWA 51238-0425

DESCRIPTION	STAND FOR Ø 86.00, 45° CONE BOTTOM TANKS	
SCALE	N.S.	PART NO. CB086-45ST