

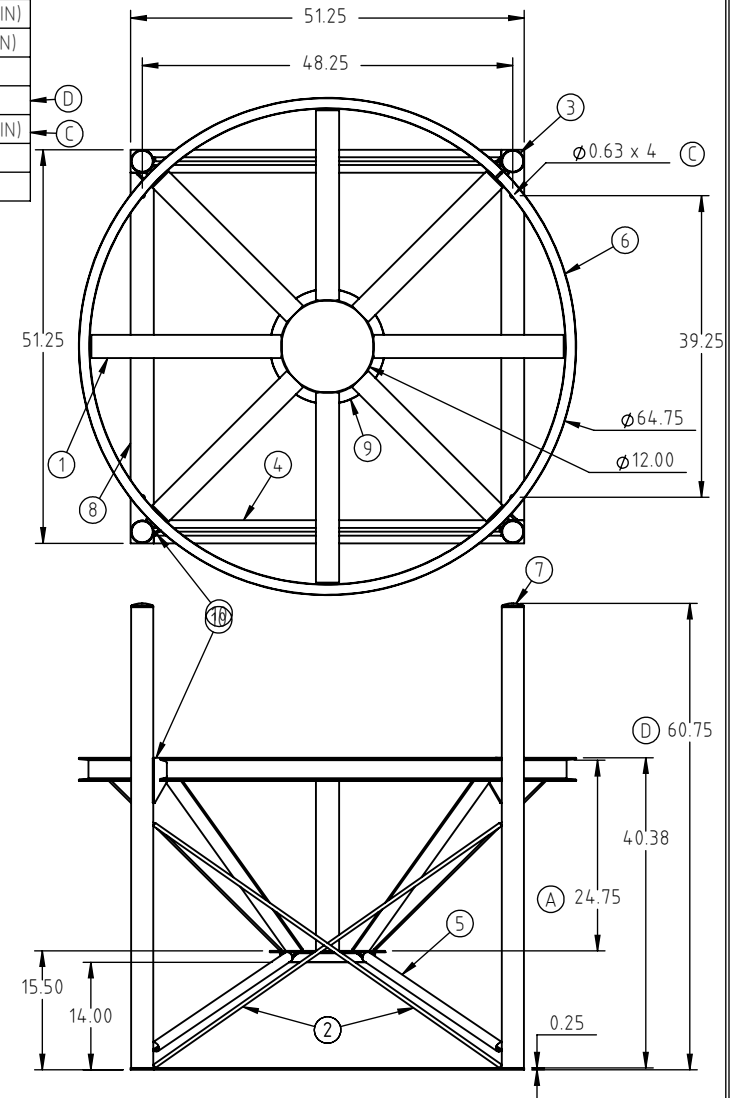
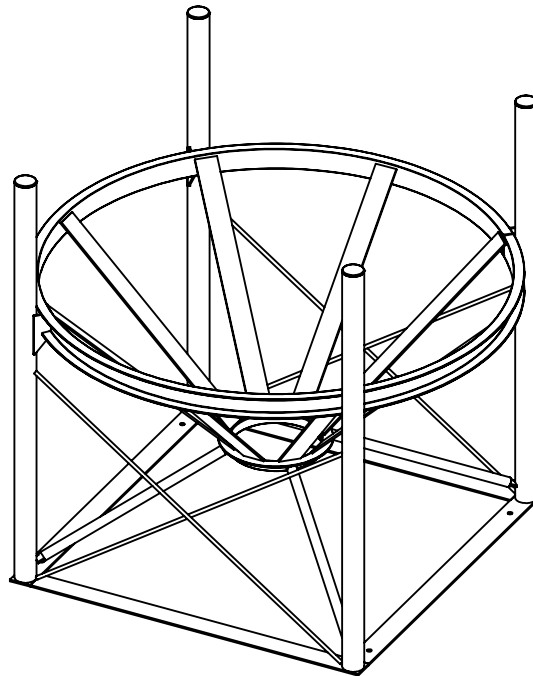
© DEN HARTOG INDUSTRIES, INC.

Copyright. All information furnished within this document, electronic file or design correspondence is the property of Den Hartog Industries, Inc. and shall not be used, disclosed to others or copied without the expressed written consent of Den Hartog Industries, Inc.

KEY	PART NUMBER	MATERIAL	DESCRIPTION	QTY.
1	CB064-45ST-1	B02500X30000	1/4 X 3 FLAT BAR	8 @ 34.875 IN (279 IN)
2	CB064-45ST-2	R05000	1/2" MILD STEEL ROD	4 @ 55 IN (220 IN)
3	CB064-45ST-3	P25000	2 1/2" SIZE TUBING	4 @ 60 IN (240 IN)
4	CB064-45ST-4	B02500X30000	1/4 X 3 FLAT BAR	2 @ 48.25 IN (96.5 IN)
5	CB064-45ST-5	T1000X01090	1" OD ROUND MILD X .109	4 @ 29.25 IN (117 IN)
6	CB064-45ST-6	C03X41	3" MILD STEEL CHANNEL	218 IN
3	12688	62202	2-1/2" PIPE PLUG	4
8	CB064-45ST-8	B02500X30000	1/4 X 3 FLAT BAR	2 @ 48.25 IN (96.5 IN)
9	RAR-12	RAR-12	ROLLED ANGLE, 12" PLAIN	1
10	SJ10306	S-2500	CB STAND BRACKET	4

CB064-45ST

D



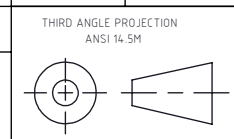
D	12688 WAS CB064-45ST-7, 60.75 WAS 60.25	ADH 6/18/09	1888
C	HOLES ADDED	ADH 1/16/08	1566
B	TOLERANCE WAS 1% AT 68°F	GWC 3/8/07	
A	ADDED B.O.M. CHANGED 40 TO 40.38	NVE 5/16/06	
REV	DESCRIPTION	BY / DATE	CCN

DRAWN / DATE	MATERIAL
ADH 6/18/07	
APPRD. / DATE	
REH 7/18/07	

ALL DIMENSIONS ARE IN DECIMAL INCHES
TOLERANCES UNLESS OTHERWISE SPECIFIED

POLYETHYLENE
±1% @ 68°F

METAL
DECIMAL ± .125"
FRACTION ± 1/4"
ANGLE ± 1°



SHOT WEIGHT:	NOTES:
SHIPPING WEIGHT:	
FINISH:	



Den Hartog
INDUSTRIES, INC.

Ace Roto-Mold Injection Molding Blow Molding Sowjoy

4010 HOSPERS DRIVE S. BOX 425, HOSPERS, IOWA 51238-0421

DESCRIPTION	CB, 1000 OR 14-90 GAL-45 DEG, STAND	
SCALE	N.S.	PART NO. CB064-45ST