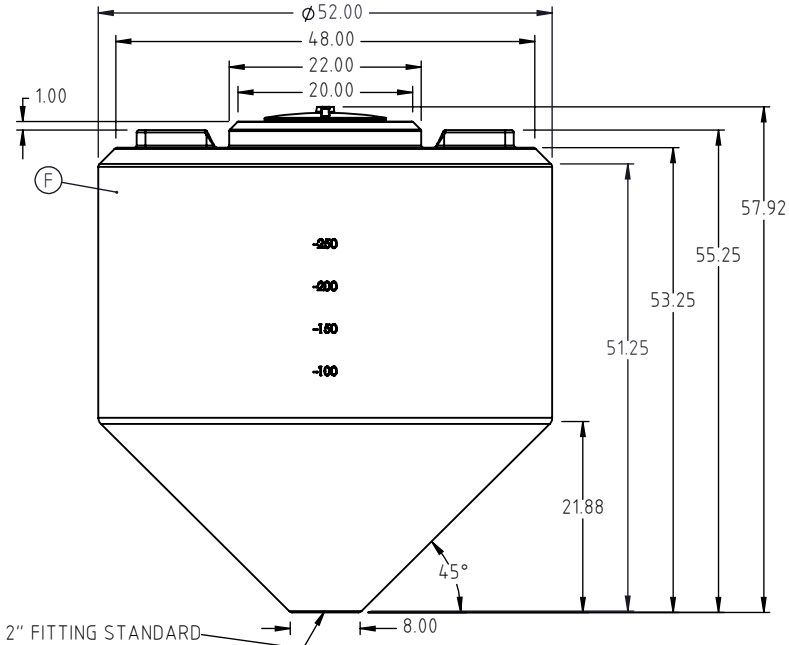
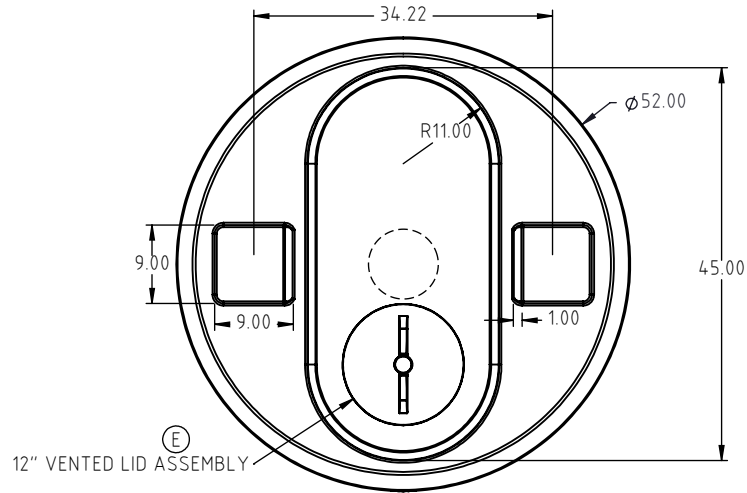


Copyright. All information furnished within this document, electronic file or design correspondence is the property of Den Hartog industries, Inc. and shall not be used, disclosed to others or copied without the expressed written consent of Den Hartog Industries, Inc.



F	REMOVED RIB	NHW 8/20/20	4015
E	16 INCH LID WAS SHOWN	DHJ 4/11/07	1299
D	REMOVE STAND, UPDATED PRINT	NVE 5/18/06	
C	CHANGE PART NO. TO CB0345-52	10/05/04	
B	ADD FITTING INFORMATION	10/05/04	
A	FINALIZE PART	9/15/04	
REV	DESCRIPTION	BY / DATE	CCN

DRAWN / DATE DHJ 8/17/04	MATERIAL HDPE OR EQUIVALENT REFERENCE MATERIAL DATA SHEET FOR SPECIFIC PROPERTIES
APPROD. / DATE REH 4/18/07	

## Den Hartog

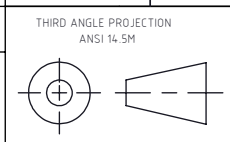
INDUSTRIES, INC.

Ace Roto-Mold Injection Molding Blow Molding Sowjoy

4010 HOSPERS DRIVE S. BOX 425, HOSPERS, IOWA 51238-0425

ALL DIMENSIONS ARE IN DECIMAL INCHES  
TOLERANCES UNLESS OTHERWISE SPECIFIED

POLYETHYLENE	METAL
±1% @ 68°F	DECIMAL ± .125" FRACTION ± 1/4" ANGLE ± 1°



SHOT WEIGHT: 100.00 LBS	NOTES: 1.) NOM. WALL @ .250
SHIPPING WEIGHT:	
FINISH:	

DESCRIPTION 345 GALLON TANK WITH 45° CONE BOTTOM	SCALE N.S.
PART NO. CB0345-52	