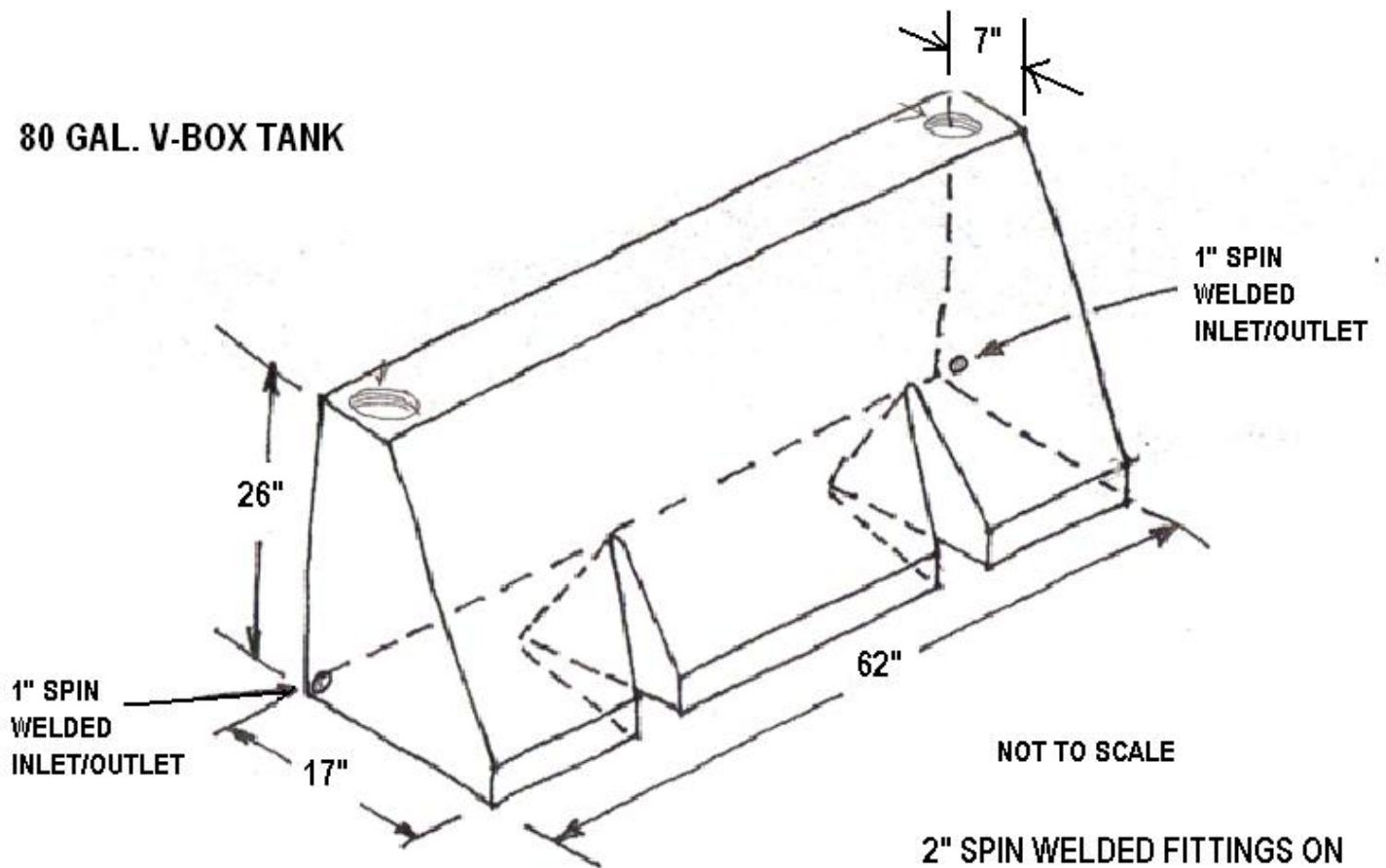


80 GAL. V-BOX TANK FOR PRE-WETTING APPLICATIONS

80 GAL. V-BOX TANK



2" SPIN WELDED FITTINGS ON BOTH ENDS ON TOP OF TANK

1" SPIN WELDED FITTINGS ON BOTH ENDS SIDE OF TANK