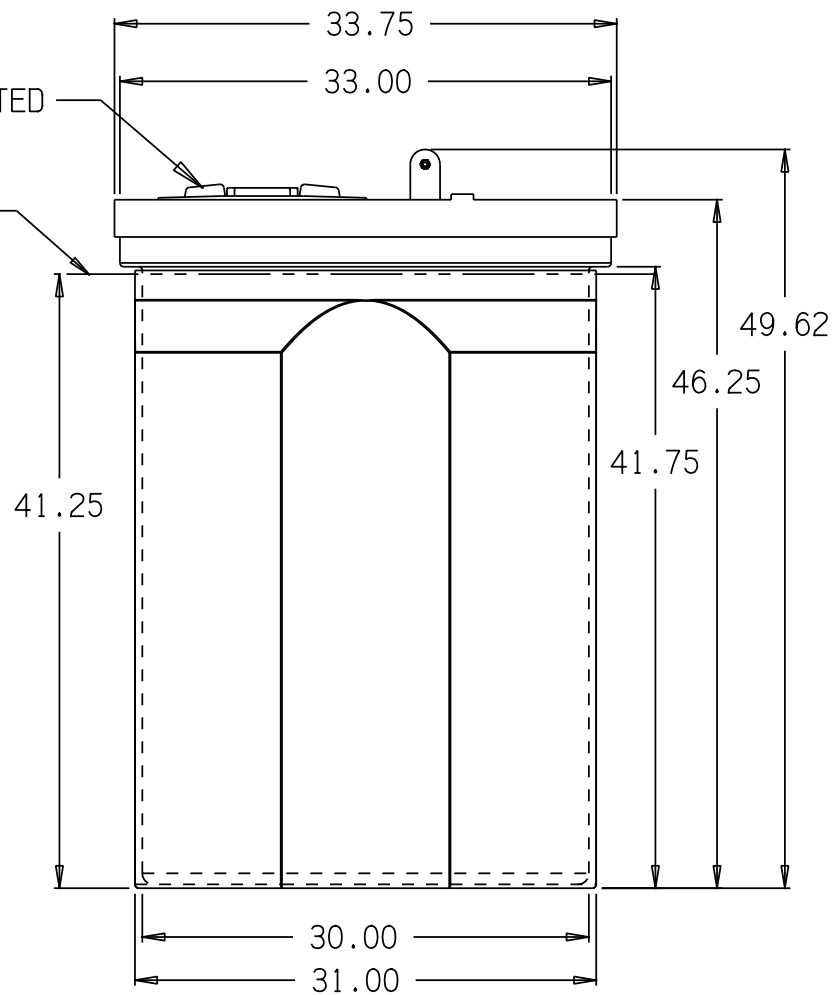


14" PE THREADED-VENTED
MANWAY W/12" ACCESS

FULL



(all dimensions in inches)

* BASE FITTINGS TO BE LEFT INSTALLED AT TIME OF SHIPMENT PER SII PROCEDURE
 * Consult Snyder's Guidelines for Use and Installation prior to delivery. Available on-line at www.snydernet.com
 ALL DIMENSIONS, DESIGNS, AND INFORMATION ON THIS PRINT MUST BE CONSIDERED PROPRIETARY TO SNYDER INDUSTRIES, INC.
 AND MAY NOT BE USED, COPIED, OR DISTRIBUTED WITHOUT WRITTEN PERMISSION OF AN OFFICER (OR HIS AGENT) OF THE FIRM.

TANK	ASSEMBLY #:	5980000N-----
	PRIMARY #:	5700000N-----
	CONTAINMENT #:	5980000N-----
REF#:	00000	04/18/12

120 GALLON CONTAINMENT SYSTEM