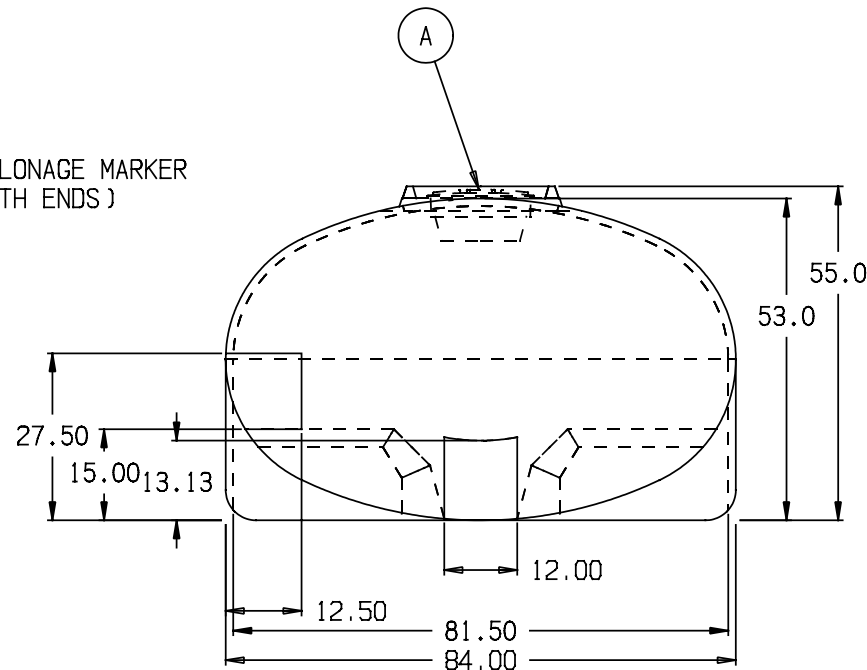


GALLONAGE MARKER
(BOTH ENDS)



A. 18" PE THREADED-VENTED MANWAY W/15" ACCESS [P/N 34300012L]

BASE FITTINGS TO BE LEFT INSTALLED AT TIME OF SHIPMENT PER SII PROCEDURE

(all dimensions in inches)

PART # TANK: 1002300N--

2000 GALLON ELLIPTICAL LEG TANK

REF#: 00000

08/18/05