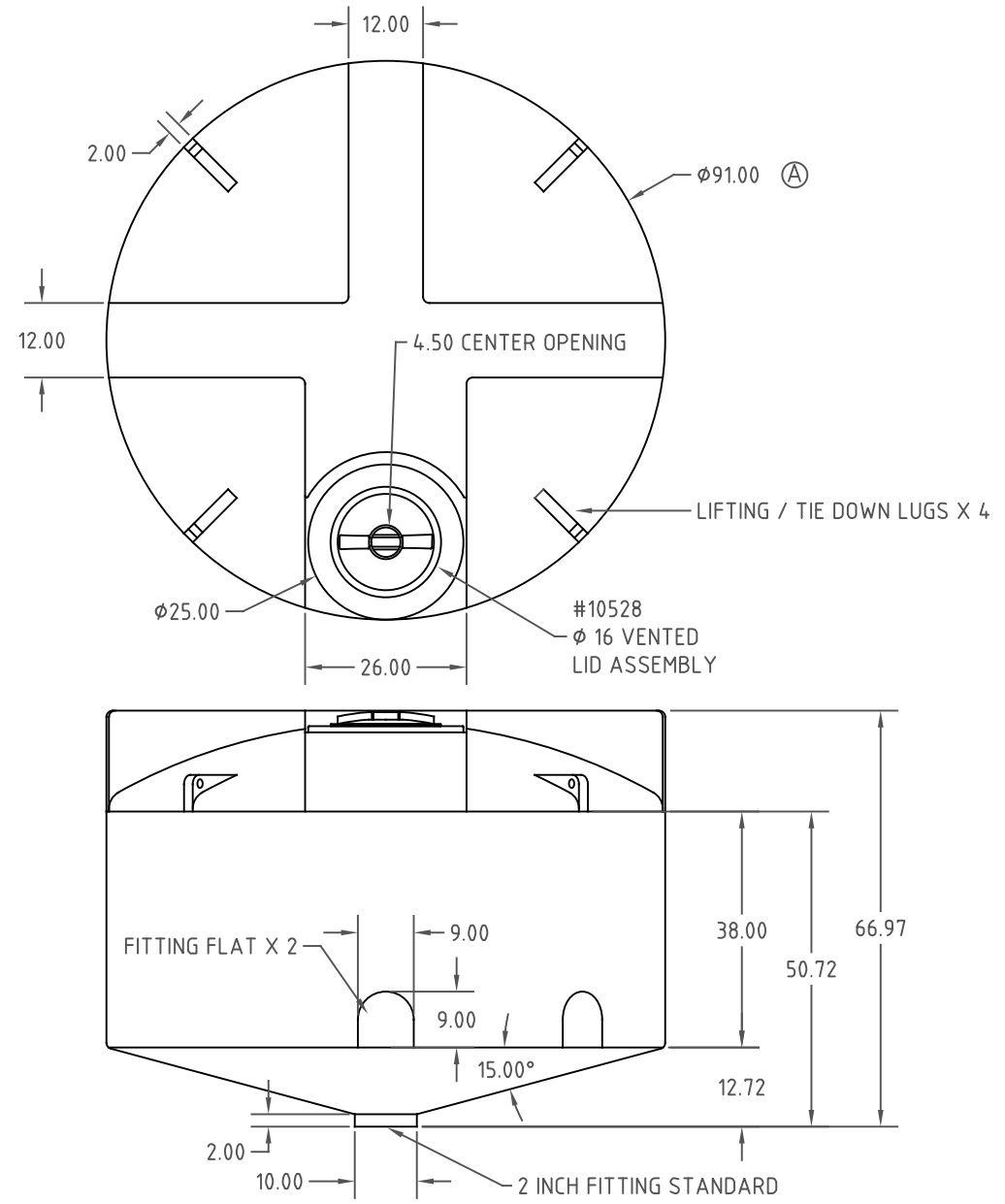


Copyright. All information furnished within this document, electronic file or design correspondence is the property of Den Hartog industries, Inc. and shall not be used, disclosed to others or copied without the expressed written consent of Den Hartog Industries, Inc.



				DRAWN / DATE DHJ 1/7/11	MATERIAL 10420
A	WAS 90	DHJ 5/11/17	3385	APPRD. / DATE REH 2/2/11	
REV	DESCRIPTION	BY / DATE	CCN		
ALL DIMENSIONS ARE IN DECIMAL INCHES TOLERANCES UNLESS OTHERWISE SPECIFIED		THIRD ANGLE PROJECTION ANSI 14.5M		SHOT WEIGHT: 240 LBS.	NOTES: 1. THICKNESS @ BOTTOM SIDE WALL .200
POLYETHYLENE ±1% @ 68° F		METAL DECIMAL ± .125" FRACTION ± 1/4" ANGLE ± 1°		SHIPPING WEIGHT: 242 LBS.	
		FINISH:			

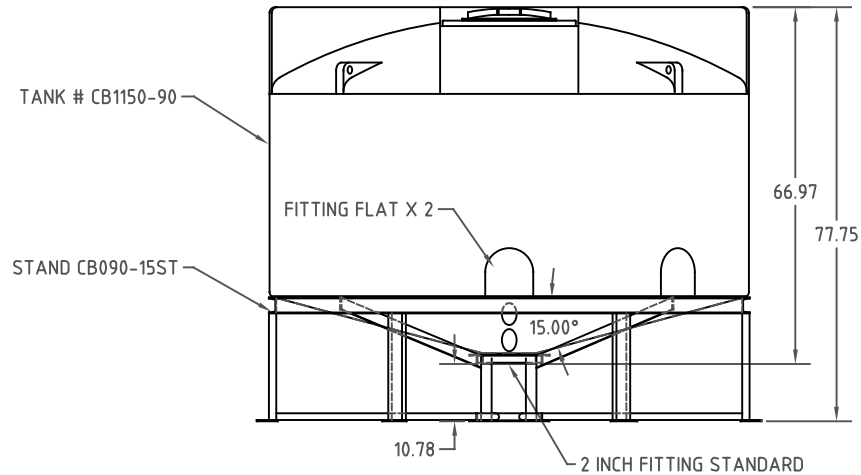
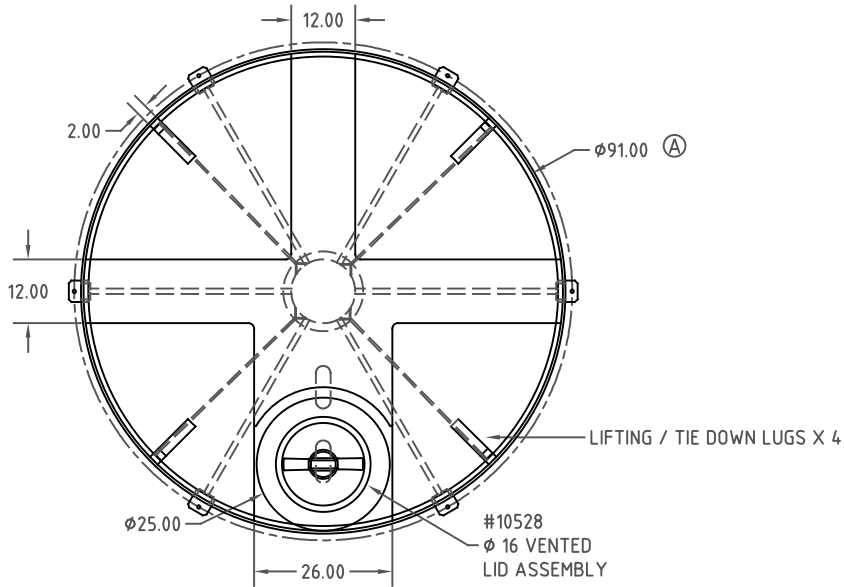


Den Hartog
INDUSTRIES, INC.

Ace Roto-Mold Injection Molding Blow Molding Sowjoy
4010 HOSPERS DRIVE S. BOX 425, HOSPERS, IOWA 51238-0425

DESCRIPTION 1150 GALLON 90" DIA. X 15° CONE BOTTOM TANK W/ INDUSTRIAL TOP	
SCALE N.S.	PART NO. CB1150-90

Copyright. All information furnished within this document, electronic file or design correspondence is the property of Den Hartog industries, Inc. and shall not be used, disclosed to others or copied without the expressed written consent of Den Hartog Industries, Inc.



		DRAWN / DATE		MATERIAL	
		DHJ 3/9/11		TANK 104-20 POLYETHYLENE	
A WAS 90		DHJ 5/11/17 3385		STAND MILD STEEL POWDER COAT BLACK	
REV DESCRIPTION		BY / DATE CCN		APPRD. / DATE	
				REH 3/9/11	
ALL DIMENSIONS ARE IN DECIMAL INCHES TOLERANCES UNLESS OTHERWISE SPECIFIED		THIRD ANGLE PROJECTION ANSI 14.5M		SHOT WEIGHT:	
POLYETHYLENE		METAL		NOTES:	
±1% @ 68 ° F		DECIMAL ± .125" FRACTION ± 1/4" ANGLE ± 1°		1. THICKNESS @ BOTTOM SIDE WALL .200	
		SHIPPING WEIGHT: 622 LBS.		FINISH:	



Den Hartog

INDUSTRIES, INC.

Ace Roto-Mold Injection Molding Blow Molding Sow-Joy
4010 HOSPERS DRIVE S. BOX 425, HOSPERS, IOWA 51238-0425

DESCRIPTION		PART NO.	
1150 GALLON 90" DIA. X 15° CONE BOTTOM TANK W/ INDUSTRIAL TOP AND STAND		CB1150-90+90-15ST	
SCALE	N.S.		