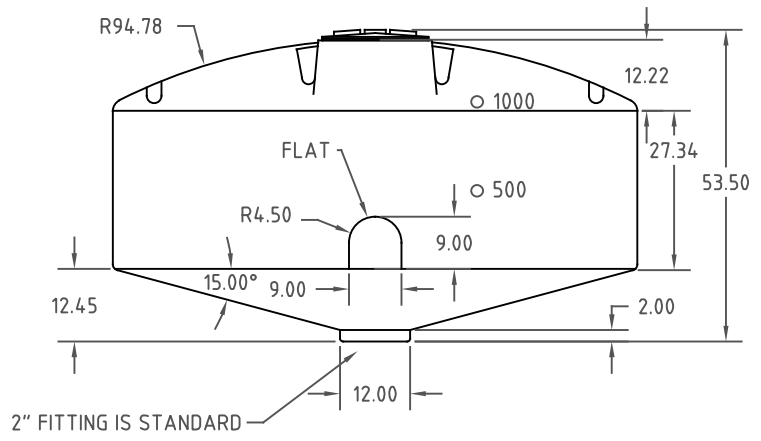
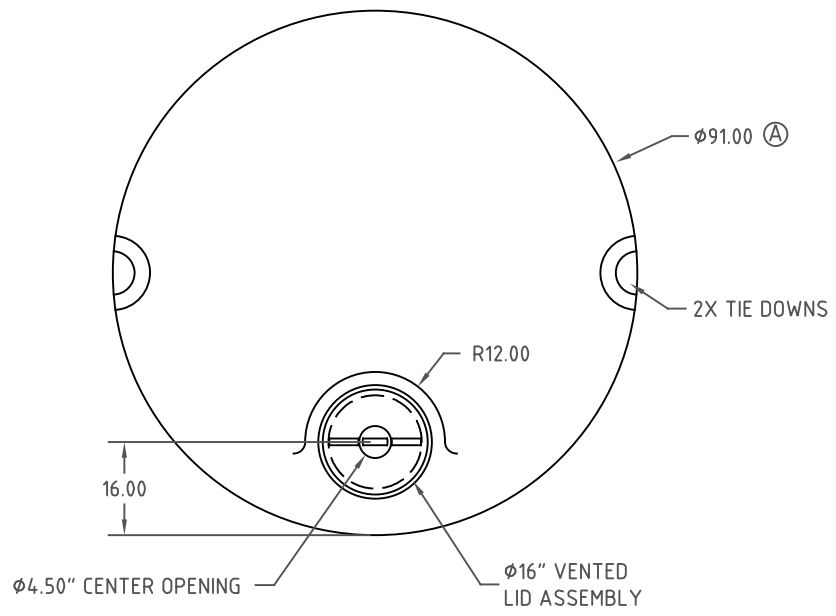
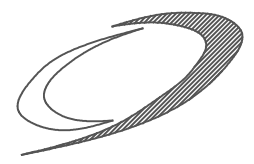


Copyright. All information furnished within this document, electronic file or design correspondence is the property of Den Hartog industries, Inc. and shall not be used, disclosed to others or copied without the expressed written consent of Den Hartog Industries, Inc.



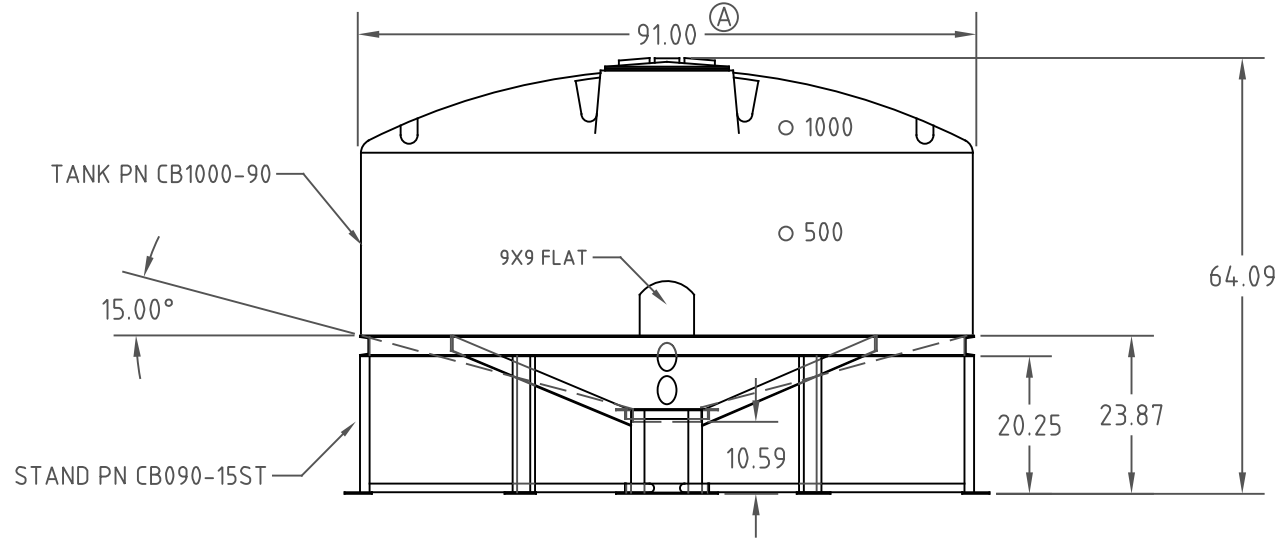
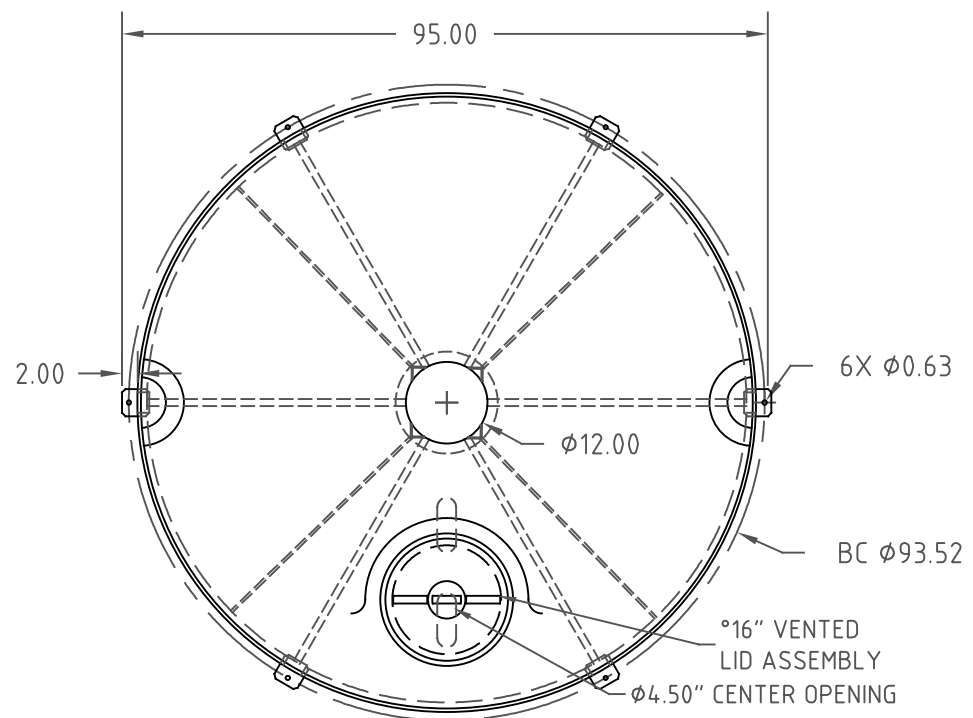
				DRAWN / DATE DHJ 10/31/08	MATERIAL 10420 3 MELT
A	WAS 90	DHJ 5/11/17	3385	APPRD. / DATE REH 4/24/09	
REV	DESCRIPTION	BY / DATE	CCN		
ALL DIMENSIONS ARE IN DECIMAL INCHES TOLERANCES UNLESS OTHERWISE SPECIFIED		THIRD ANGLE PROJECTION ANSI 14.5M		SHOT WEIGHT: 210 LBS.	NOTES: 1. .28 WALL
POLYETHYLENE		METAL		SHIPPING WEIGHT: 212 LBS.	
$\pm 1\%$ @ 68° F		DECIMAL $\pm .125$ " FRACTION $\pm 1/4$ " ANGLE $\pm 1^\circ$		FINISH:	



Den Hartog  
INDUSTRIES, INC.  
Ace Roto-Mold Injection Molding Blow Molding Sowjoy  
4010 HOSPERS DRIVE S. BOX 425, HOSPERS, IOWA 51238-0421

DESCRIPTION 1000 GALLON 15° CONE BOTTOM TANK	
SCALE N.S.	PART NO. CB1000-90

Copyright. All information furnished within this document, electronic file or design correspondence is the property of Den Hartog industries, Inc. and shall not be used, disclosed to others or copied without the expressed written consent of Den Hartog Industries, Inc.



A	WAS 90	DHJ 5/11/17	3385
REV	DESCRIPTION	BY / DATE	CCN
ALL DIMENSIONS ARE IN DECIMAL INCHES TOLERANCES UNLESS OTHERWISE SPECIFIED		THIRD ANGLE PROJECTION ANSI 14.5M	
POLYETHYLENE		METAL	
±1% @ 68° F		DECIMAL ± .125" FRACTION ± 1/4" ANGLE ± 1°	

DRAWN / DATE DHJ 5/15/09	MATERIAL TANK MDPE OR EQUIVALENT STAND MILD STEEL
APPRD. / DATE REH 5/15/09	NOTES: 1. WHITE OR YELLOW TANK
SHOT WEIGHT: TANK 210 LBS. STAND WEIGHT: 380 LBS. FINISH: STAND BLACK POWDER COAT	

## Den Hartog

### INDUSTRIES, INC.

Ace Roto-Mold Injection Molding Blow Molding SowJoy  
4010 HOSPERS DRIVE S. BOX 425, HOSPERS, IOWA 51238-0421

DESCRIPTION 1000 GALLON Ø90"15° CONE BOTTOM TANK AND STAND	
SCALE N.S.	PART NO. CB1000-90/90-15ST